



Model: KCHUCWT48R

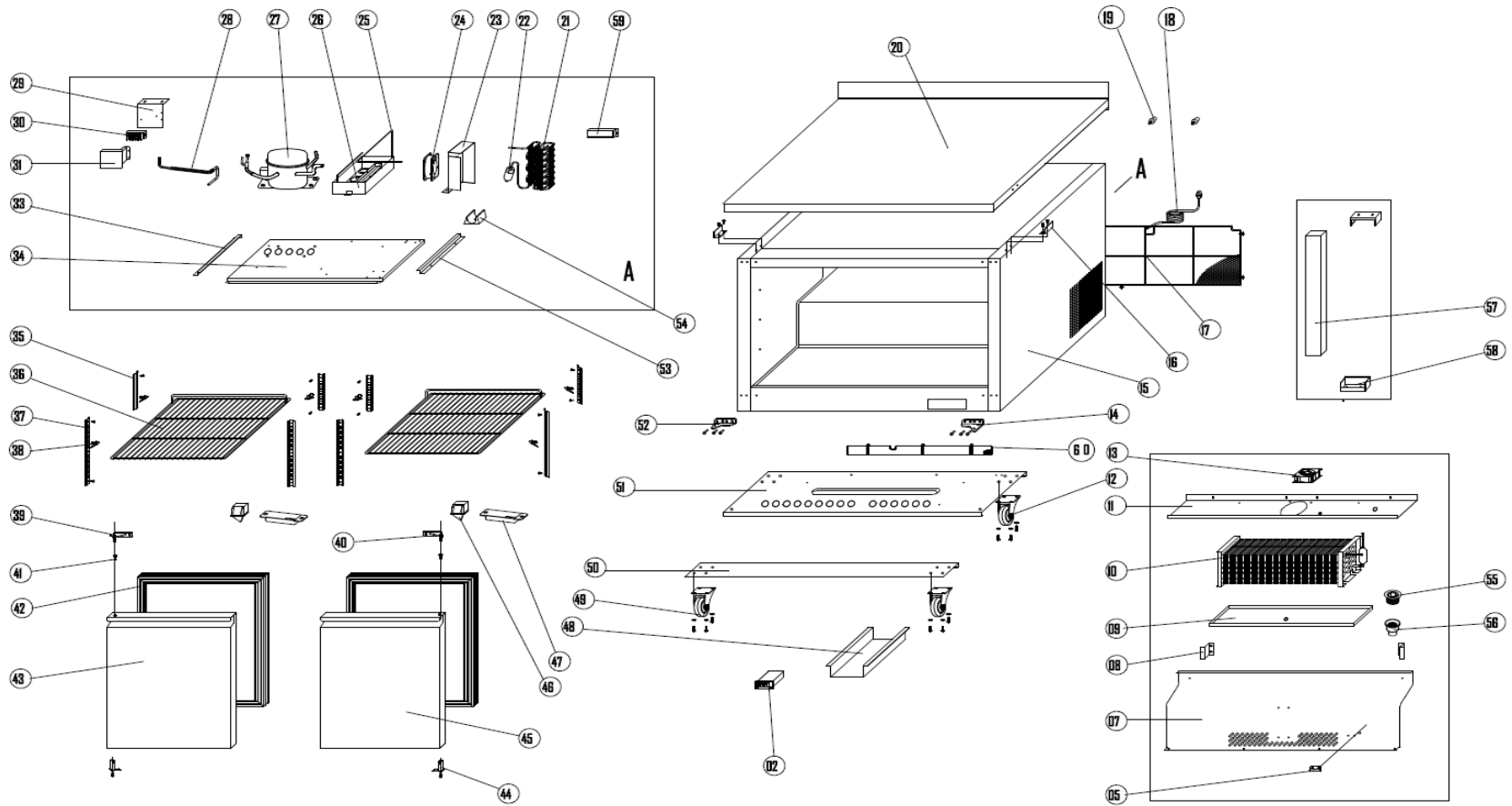
PNC: 738300

REV: 7/11/2024

Spare Parts List

NO	DESCRIPTION	Serial #	QTY	COMPONENT PNC	Model Number	Model PNC
2	TEMPERATURE CONTROLLER	<01021145	1PC	0USF42	KCHUCWT48R	738300
		≥01021145	1PC	0USDET	KCHUCWT48R	738300
2a	Inner Chest Temperature Sensor Probe	ALL	1PC	0USC4C	KCHUCWT48R	738300
2b	Controller Mounting Plate	ALL	1PC	0USDIF	KCHUCWT48R	738300
5	Sensor Fixed Clip	ALL	1PC	0USM10	KCHUCWT48R	738300
7	Evaporator Cover	ALL	1PC	0USL36	KCHUCWT48R	738300
8	FIXED SUPPORT OF EVAPORATOR COVER	ALL	2PCS	0USK05	KCHUCWT48R	738300
9	Evaporator Water Pan	ALL	1PC	0USG60	KCHUCWT48R	738300
10	Evaporator	ALL	1PC	0USG37	KCHUCWT48R	738300
10a	Evaporator Temperature Sensor Probe	ALL	1PC	0USC6R	KCHUCWT48R	738300
11	Circle Fan Support	ALL	1PC	0USK35	KCHUCWT48R	738300
12	Normal Wheel	ALL	2PCS	0USH63	KCHUCWT48R	738300
13	Circle Fan	ALL	1PC	096250	KCHUCWT48R	738300
14	Lower Door Hinge/Right	ALL	1PC	0USF81	KCHUCWT48R	738300
15	Body	ALL	1PC	N/A	KCHUCWT48R	738300
16	Top Clip	ALL	2PCS	0USL80	KCHUCWT48R	738300
17	Unit Room Cover	ALL	1PC	0USI14	KCHUCWT48R	738300
18	PLUG	ALL	1PC	0USH67	KCHUCWT48R	738300
19	Location Knob	ALL	2PCS	0USH46	KCHUCWT48R	738300
20	Top	ALL	1PC	0USO37	KCHUCWT48R	738300
21	Condenser	ALL	1PC	0USF38	KCHUCWT48R	738300
22	FILTER DRIER	ALL	1PC	0USG65	KCHUCWT48R	738300
22a	CAPILLARY	ALL	1PC	0USM33	KCHUCWT48R	738300
23	Condenser Fan Board	ALL	1PC	0USK25	KCHUCWT48R	738300
24	Condenser Fan	ALL	1PC	0USF14	KCHUCWT48R	738300
25	Evaporate Pipe	ALL	1PC	0USG20	KCHUCWT48R	738300
26	WATER BOX	ALL	1PC	0USI35	KCHUCWT48R	738300
27	Compressor	ALL	1PC	0USF25	KCHUCWT48R	738300
27a	COMPRESSOR ELECTRICAL COMPONENT SET	ALL	1PC	0USDF2	KCHUCWT48R	738300
28	Suction Pipe	ALL	1PC	0USO26	KCHUCWT48R	738300
29	CONNECTOR SUPPORT	ALL	1PC	0USDEE	KCHUCWT48R	738300
30	Cable Connector	ALL	1PC	0USF09	KCHUCWT48R	738300
31	CONNECTOR COVER	ALL	1PC	0USJ98	KCHUCWT48R	738300
33	GUIDE OF UNIT BOARD/LEFT	ALL	1PC	0USK50	KCHUCWT48R	738300
34	UNIT BOARD	ALL	1PC	0USK32	KCHUCWT48R	738300
35	SHELF SUPPORT B	ALL	4PCS	0USI66	KCHUCWT48R	738300
35a	Shelf Support Screw	ALL	8PCS	0USM14	KCHUCWT48R	738300
36	Shelf	ALL	2PCS	0USC0M	KCHUCWT48R	738300
37	SHELF SUPPORT A	ALL	4PCS	0USI44	KCHUCWT48R	738300
37a	Shelf Support Screw	ALL	12PCS	0USM14	KCHUCWT48R	738300
38	K Shape Clip	ALL	8PCS	0USH19	KCHUCWT48R	738300
39	Up Hinge/Left	ALL	1PC	0USI16	KCHUCWT48R	738300
40	UP HINGE /RIGHT	ALL	1PC	0USI17	KCHUCWT48R	738300
41	BUSHING	ALL	2PCS	096268	KCHUCWT48R	738300
42	GASKET	ALL	2PCS	0USH00	KCHUCWT48R	738300
43	DOOR/LEFT	ALL	1PC	0USM97	KCHUCWT48R	738300
44	DOOR SPRING HINGE	ALL	2PCS	0USF83	KCHUCWT48R	738300
45	RIGHT DOOR	ALL	1PC	0USM98	KCHUCWT48R	738300
46	DOOR SWITCH	ALL	2PCS	096253	KCHUCWT48R	738300
47	Door Switch Case	ALL	2PCS	0USF88	KCHUCWT48R	738300
48	CABLE COVER	ALL	1 PC	0USK07	KCHUCWT48R	738300

49	BRAKE WHEEL	ALL	2PCS	0USF03	KCHUCWT48R	738300
49a	Castor Mounting Bolt (4-PACK)	ALL	4PC	0USC2U	KCHUCWT48R	738300
49b	Castor Mounting Locking Washer (4-PACK)	ALL	4PC	0USC4A	KCHUCWT48R	738300
49c	Castor Mounting Flat Washer (4-PACK)	ALL	4PC	0USC2X	KCHUCWT48R	738300
50	FRONT SUPPORT OF UNIT BOARD	ALL	1PC	0USJ59	KCHUCWT48R	738300
51	BACK SUPPORT OF UNIT BOARD	ALL	1PC	0USJ60	KCHUCWT48R	738300
52	Door Hinge/Left	ALL	1PC	0USF80	KCHUCWT48R	738300
53	GUIDE OF UNIT BOARD/RIGHT	ALL	1PC	0USK49	KCHUCWT48R	738300
54	DRIER SUPPORT	ALL	1 PC	0USI78	KCHUCWT48R	738300
55	Drain Pipe(B Ext)	ALL	1PC	096263	KCHUCWT48R	738300
56	Drain Pipe(A Int)	ALL	1PC	0USG04	KCHUCWT48R	738300
56a	DRAIN PIPE	ALL	1PC	0USM54	KCHUCWT48R	738300
56b	DRAIN FIXER	ALL	1PC	0USN75	KCHUCWT48R	738300
57	Middle Girder	ALL	1PC	0USH56	KCHUCWT48R	738300
58	Middle Girder Fixer	ALL	2PCS	0USH59	KCHUCWT48R	738300
59	Transformer	ALL	1PC	096252	KCHUCWT48R	738300
60	Unit Room Cover - Bottom	<82810018		N/A	KCHUCWT48R	738300
		≥82810018	1PC	0USFAH	KCHUCWT48R	738300



EXPLODE OF KCHUCWT48R